



Think electric.

The new generation
of compact loaders.

miniZ

kovacoelectric.com

**MiniZ is more
than a loader,
it is a proven
concept.**

Thanks to constant innovations, we strive to be one step ahead at KOVACO ELECTRIC. We believe in the power of simplicity, which is why we have developed new types of 100% electric compact loaders. Powerful devices with up to 8 hours endurance on a single charge, zero negative impact on the environment, minimal maintenance costs and down time.



Compact loader.

MINI Z. Compact and precisely manufactured electric loader represents the highest technology and years of experience of Kovaco Electric.



Battery life

4-8_h

Dependant on use
and load

Maximum lifting height

81.5_{inch}

Class Leading for
extreme versatility

Load capacity

882_{lbs}

Ultimate power in
a small package



Extensive safety features
Ground breaking powertrain
Micro speed for precision maneuverability
Minimal maintenance
100% Eco-friendly

Compact Dimensions

45.28 height
inch / **31.5** width
inch

Fits through standard doorways

Remote control

164 feet

Safe, controlled ease of operation

Battery capacity

10.8 kW

Full charge in under 5 hours

**Extreme power
in compact
design.**



***Fits through standard door.**

Technical specifications.



SPECIFICATIONS	IMPERIAL
Rated load capacity	882 lb
Tipping load	1 764 lb
Minimum travel speed	0,06 mph
Maximum travel speed	3,1 mph
Hinge Pin Height	81.5 in
Overall width	31 in

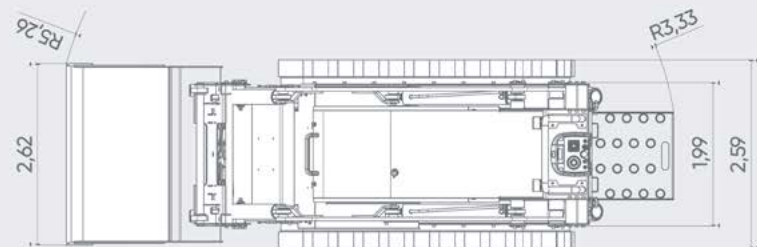
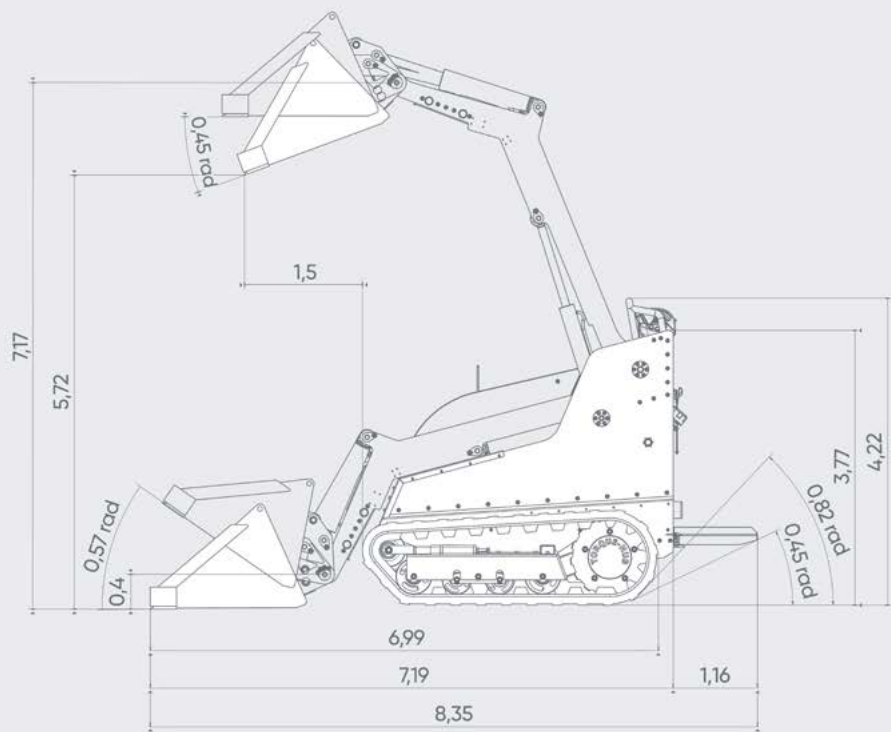
ENGINE	IMPERIAL
Engine type: electric	3xIPM120
Maximum performance	3x4 HP

STANDARD FEATURES

- Basic Bucket
- Danfoss Professional ISO Joystick Remote Control
- Lead-Acid battery 48V/225Ah
- External Battery Charger (Nema 14-50)
- Operator Platform
- Danfoss Hydraulic system
- 3 independent motors – 2 for drive, 1 for Hydraulics
- Micro-speed Control

Compare technical specifications for this product online at www.kovacoelectric.com

miniZ



WEIGHTS	IMPERIAL
Rated operating weight	2 425 lb
Total weight of the loader	3 307 lb

HYDRAULICS	IMPERIAL
Hydraulic oil pressure	2175,6 psi
Hydraulic oil flow	6,6 gal/min
Hydraulic oil reservoir	7,9 gal

Profesional remote control with reach of 50m.



With a wide range of attachments.



4:1 bucket



Forks with retainer



Grate shovel



Pallet forks



Bulk bucket



... plus 9 other attachments
on kovacoelectric.com

+420 737 633 733
info@kovacoelectric.com



We make something bigger.

For more Kovaco Electric products, visit:

www.kovacoelectric.com

+420 737 633 733, info@kovacoelectric.com

